

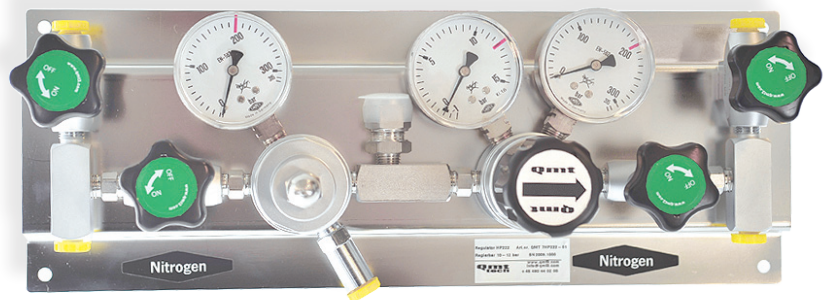
Cylinder station 7HP 222 with automatic changeover

QMT 7HP222 is a single stage panel with automatic change over system for interruption-free central gas supply and reduces the cylinder pressure to a line pressure.

It will be installed in central cylinder storages or (safety-)gas cabinets.

The panel is mounted on a stainless steel console. As a standard it consists of:

- 2 single stage pressure regulator with inlet and outlet pressure gauges
- safety valve
- shut-off valves for process gas on the high pressure side for each cylinder
- internal purge valves on the high pressure sides



110204_090804:4_eng

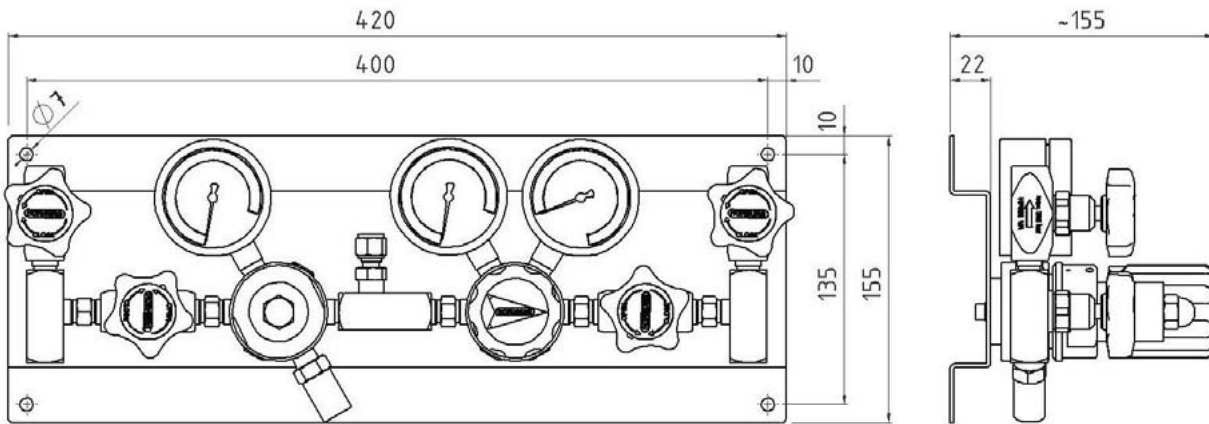
Application area

QMT 7HP222 - 2x1 cylinder single stage, with process gas shut-off valves and internal purge - for gases, calibration gases and gas mixtures up to 6.0 (99.9999 Vol.%) purity For interruption-free gas supply (over night or weekend or during long time test- / analysis periods).

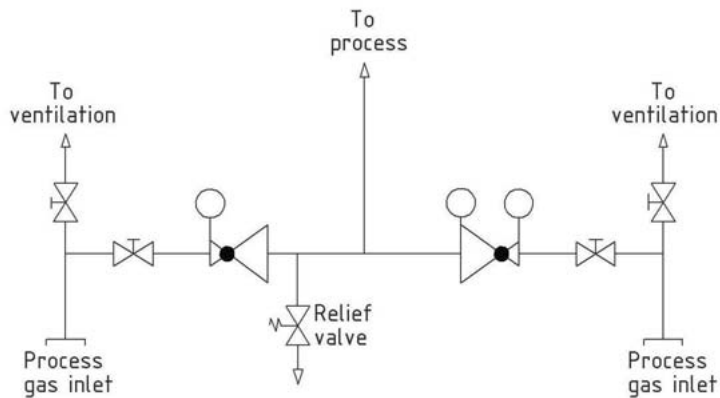
Especially for gases with high requirements on purity. A special cleaning system for the QMT 7HP Series guarantees the use for ECD applications.

Technical informations

Body:	stainless steel 1.4404 electropolished or brass, nickel and matt chrome plated
Seat:	PCTFE
Diaphragm:	1.4435
Leakage rate:	10 ⁻⁸ mbar l/s He
against atmosphere	
Purity:	< 6.0
Max. inlet pressure:	300 bar
Outlet pressure ranges	10 – 12 bar (others as an option)
Cv:	0,06
Capacity:	15 m ³ /h (at outlet pressure 10-12 bar)
Operating temp.:	-20°C up to +70°C
Gauges:	Safety version accord. EN 837-1 KL1,6
Dimensions (wxhxd):	420 x 155 x 155
Weight:	4550g
Threads:	NPT 1/4" f



Flow diagram



Ordering information

- Material:** QMT 7HP222 = stainless steel electropolished
QMT 7HP222MS = brass, nickel and matt chrome plated
- Inlet pressure:**
1 = 200 bar
2 = 300 bar
- Outlet pressure:**
1 = 10 - 12 bar
- Gauges:**
1 = standard gauge 200 bar
2 = standard gauge 300 bar
3 = contact gauge 200 bar
4 = contact gauge 300 bar
5 = contact gauge Ex 200 bar
6 = contact gauge Ex 300 bar

Regulator type 1-stage With internal purge HP222

Ex QMT 7HP222-	2	1	1	Gas
Type	P1	P2	Gauges	Type of gas